

INNO 5

VERTICAL

HIGH-DENSITY BALER FOR HUGE VOLUMES

Large vertical baler with a generous infeed, ideal for businesses handling vast volumes of material. The dense and optimized bale dimensions result in storage, handling and transportation efficiencies. INNO 5 features unique touchscreen controls for ease of use.



Mill-size bales



500 KG
BALE WEIGHT (UP TO)
CARDBOARD

Expertise through experience

PRESSOR is a market leading manufacturer of high quality compaction equipment. We offer you a complete range of equipment for collecting and compacting recyclables and waste. Partner up with us. We are there for you all the way!



Benefits for you

- + Save time and increase productivity!
- + Gain valuable floor space!
- + Optimize logistics! Reduce transportation costs!
- + Safe and comfortable working environment
- + More profitable waste management and increased income from sales of recyclables

INNO 5

High-density baler for huge volumes

OPTIMIZED FOR:

PAPER

+ Cardboard

PLASTIC

+ Shrink film

VERSATILE AND RESILIENT BALER

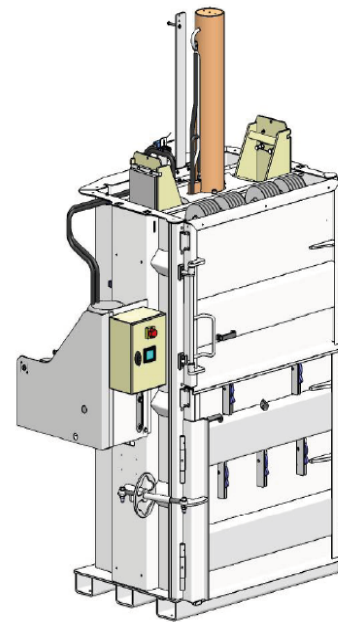
Our tough and robust high-density baler for huge volumes of material has a strong construction, a long service life and many application areas.

SEMI-AUTOMATIC BALING

The manual bale binding by strap or wire is a simple procedure and the when pushing the buttons on the side of the machine, the baler automatically ejects the bale.

OPTIMIZE LOGISTICS

INNO 5 produces large, compact and uniform bales. The bale dimensions are 1300 x 1200 x 850 mm and result in storage, handling and transportation efficiencies.



DIMENSIONS & SPECIFICATIONS

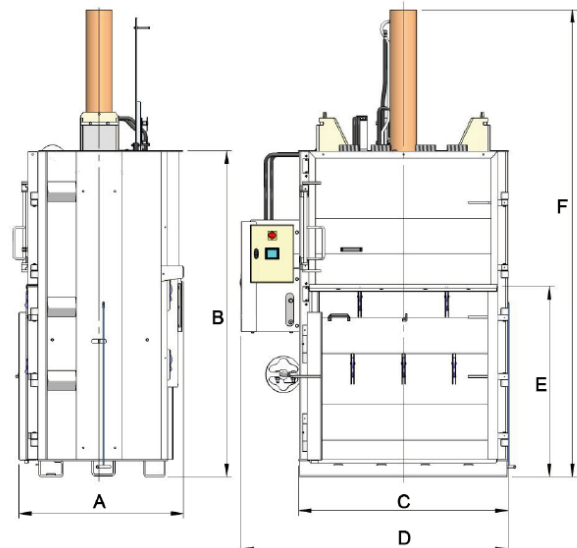
DIMENSIONS

A	B*	C	D
1165 mm	2250 mm	1450 mm	1850 mm

*Transport height

DIMENSIONS

E	F
1315 mm	3230 mm



TECHNICAL SPECIFICATIONS

LOADING APERTURE	CYCLE TIME	PRESS FORCE	BALE SIZE	BALE WEIGHT	RAM SURFACE	MOTOR	MACHINE WEIGHT
Width: 1200 mm Height: 570 mm	42 secs	52 ton, 520 kN	HxWxD: 1300 x 1200 x 850 mm	Cardboard: up to 500 kg	1200 x 850 mm	7.5 kW/10 Hp 3- phase	1850 kg
					SURFACE PRESSURE 5.1 kg/cm ²		

We reserve the right to make changes to specifications without prior notice. Bale weights are dependent upon material type.