

# INNO 4

VERTICAL

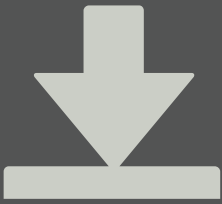
## HIGH-DENSITY BALER FOR LARGE VOLUMES

INNO 4 is a high-density baler with a generous infeed for compacting large volumes of material and it produces large, dense and uniform bales. It is equipped with a sliding door that opens automatically after each press cycle.

Model 4 features unique touchscreen controls for ease of use and deal effectively with large volumes of recyclables.



## Sliding door



**400** KG  
BALE WEIGHT (UP TO)  
CARDBOARD

## Expertise through experience

**PRESSOR** is a market leading manufacturer of high quality compaction equipment. We offer you a complete range of equipment for collecting and compacting recyclables and waste. Partner up with us. We are there for you all the way!



## Benefits for you

- + Save time and increase productivity!
- + Gain valuable floor space!
- + Optimize logistics! Reduce transportation costs!
- + Safe and comfortable working environment
- + More profitable waste management and increased income from sales of recyclables

# INNO 4

## High-density baler

### OPTIMIZED FOR:

#### PAPER

+ Cardboard

#### PLASTIC

+ Shrink film

### VERSATILE AND RESILIENT BALER

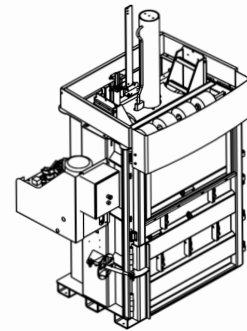
Our tough and robust high-density baler for big volumes of material has a strong construction, a long service life and many application areas.

### SEMI-AUTOMATIC SLIDING DOOR & BALING

INNO 4 is equipped with a semi-automatic sliding door, that opens automatically when the compaction cycle is completed, which saves time and facilitates the work. The manual bale binding by strap or wire is a simple procedure and the when pushing the buttons on the side of the machine, the baler automatically ejects the bale.

### OPTIMIZE LOGISTICS

INNO 4 produces large, compact and uniform bales. The bale fits a standard pallet of 1200 x 1200 x 850 mm perfectly, making it ideal for storage, internal and external logistics.

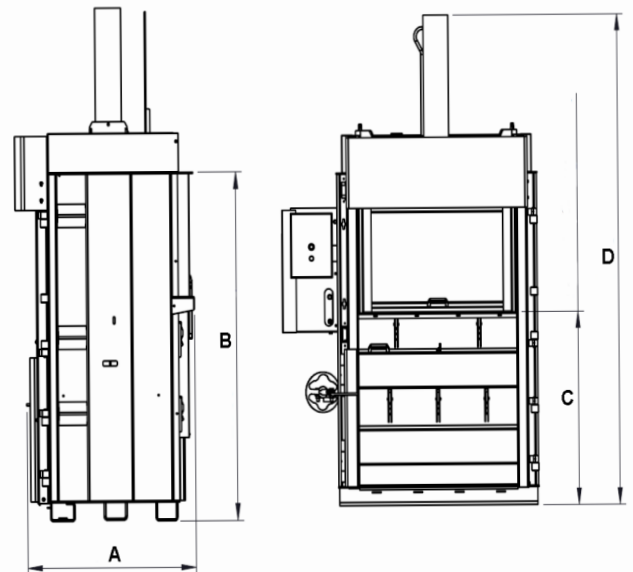


## DIMENSIONS & SPECIFICATIONS

### DIMENSIONS

A	B*	C	D
1165 mm	2065 mm	1195 mm	3050 mm

\*Transport height



### TECHNICAL SPECIFICATIONS

LOADING APERTURE	CYCLE TIME	PRESS FORCE	BALE SIZE	BALE WEIGHT	RAM SURFACE	MOTOR	MACHINE WEIGHT
Width: 1090 mm Height: 540 mm	40 secs	52 ton, 520 kN	HxWxD: 1200 x 1200 x 850 mm	Cardboard: up to 400 kg	1200 x 850 mm	7.5 kW 3- phase	1600 kg
					<b>SURFACE PRESSURE</b> 5.1 kg/cm <sup>2</sup>		

We reserve the right to make changes to specifications without prior notice. Bale weights are dependent upon material type.